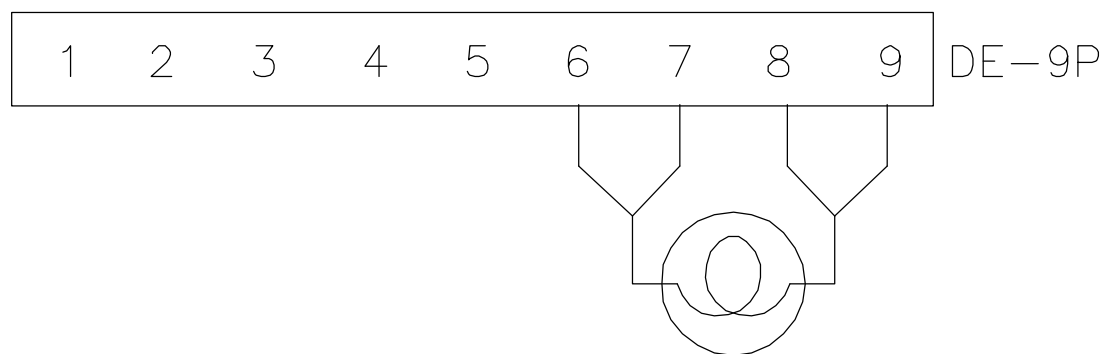
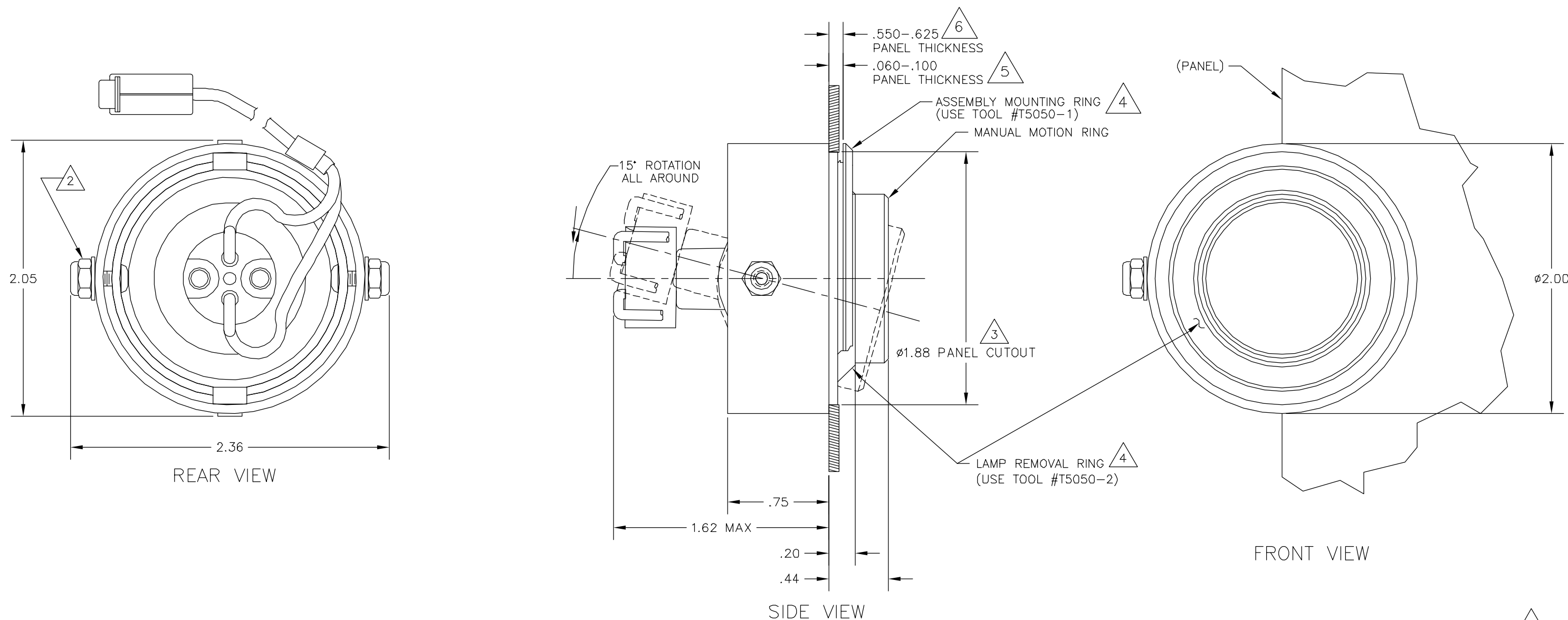


CONNECTOR PINOUT



REVISIONS					
ZONE	REV	DESCRIPTION	DATE	BY	APVD.
-	A	PRODUCTION RELEASE	12/23/94	GDeR	-
-	B	ADDED WEIGHT TO NOTE 1	5/25/95	GDeR	-
-	C	REDRAWN - DWG UPDATE	3/11/95	S.B.	-
-	D	INCORPORATED DCN# 3830	10/12/99	L.P.	JT/MC
-	E	INCORPORATED DCN# 3889	12/02/99	L.P.	GD/MC
-	F	INCORPORATED DCN# 12239	5/25/01	L.P.	LC/PSA
-	G	INCORPORATED DCN# 12305	10/09/01	L.P.	RR/PSA
-	H	INCORPORATED DCN# 12549	7/25/02	L.P.	RR/PSA
-	J	INCORPORATED DCN# 12560	8/05/02	L.P.	



- 7 P/N's 5250L-01-XXX & -02-XXX ARE PMA PARTS.
- 6 ASSEMBLE -05 PER DWG# 5250LB-05.
- 5 ASSEMBLE -1, -2, -03, -04 AND -6 PER DWG# 5250LB-XX.
- 4 FINISH: REFER TO S.O. AND DWG. NO 274-100 & 274-101 FOR FINISH DASH NO. COMPLETE ASSY NO. IS 5250L-XX-XXX.
FINISH
- 3 SIZE OF MOUNTING HOLE FOR INSTALLATION OF UNIT SHOULD BE $\phi 1.88 - \phi 1.90$.
- 2 TIGHTENING NUT - ADJUSTS FRICTION OF SWIVEL.
DO NOT TIGHTEN UNTIL UNIT IS INSTALL IN PANEL WITH MOUNTING RING.

1. FEATURES: VOLTAGE: 28 VDC
AMPERAGE: SEE DASH NO.

NOTES: UNLESS OTHERWISE SPECIFIED.

CONFIGURATION DASH NO.	PART No.	DESCRIPTION	BEAM SPREAD
		BULB, HALOGEN, 28 VOLT	FLOOD
		DIFFUSER	-
		BULB, HALOGEN, 28 VOLT	SPOT
		BULB, HALOGEN, 28 VOLT	FLOOD
-07-06-05-04-03-02-01			

NEXT ASS'Y USED ON
THIS DOCUMENT CONTAINS PROPRIETARY INFORMATION EXCLUSIVE TO DPI LABS INC. AND SHALL NOT BE USED, DUPLICATED, OR DISCLOSED IN WHOLE OR IN PART FOR MANUFACTURE, PROCUREMENT, OR OTHER PURPOSES EXCEPT AS AUTHORIZED IN WRITING BY DPI LABS INC.

QTY	PART NO.	DESCRIPTION	SPECIFICATION	MATERIAL OR NOTE	ITEM
LIST OF MATERIALS					
UNLESS OTHERWISE SPECIFIED: DIMENSIONS ARE IN INCHES AND APPLY AFTER FINISH		APPROVALS		DATE	
TOLERANCES:		DRAWN		1/26/94	
XX ± .010		G. DeROBLES		12/26/94	
XXX ± .005		CHECKED		10/12/99	
ANGULAR ± 0' 30'		R. REEVES		10/12/99	
SURFACE FINISH		ENG. APPR		10/12/99	
63		J. TORRES		10/14/99	
		Q.A. APPR		11/3/99	
		M. CROWDER			
		PROO APPR			
		G. DESMET			
MAX. WEIGHT: GRAMS		FINISH:		SIZE	
				C	
				CAGE NO.	
				ØNØX3	
				DWG NO.	
				5250L-XX-XXX	
				REV	
				J	
				SCALE	
				NONE	
				DO NOT SCALE DRAWING	
				SHEET 1 OF 1	
				REF. FILE NO.	
				5250L	



MR-11 CAN LIGHT
MANUAL MOTION, 28 VOLT