

Gold Series A/V System

SL-1971-X 4x6 Audio Buffer Isolator Module

[| Specification](#) | [| Pinouts](#) | [| Installation Note](#) |

Features and Functions

- Lightweight, modular design
- Use to eliminate Ground Loops interference on Audio Distribution networks.
- Ultra high graded audio isolation transformer provided superb transfer characteristic.
- 4 Isolated, Identical, 1 to 6 buffered Segments layout for easy diagnostic and installations.

Description

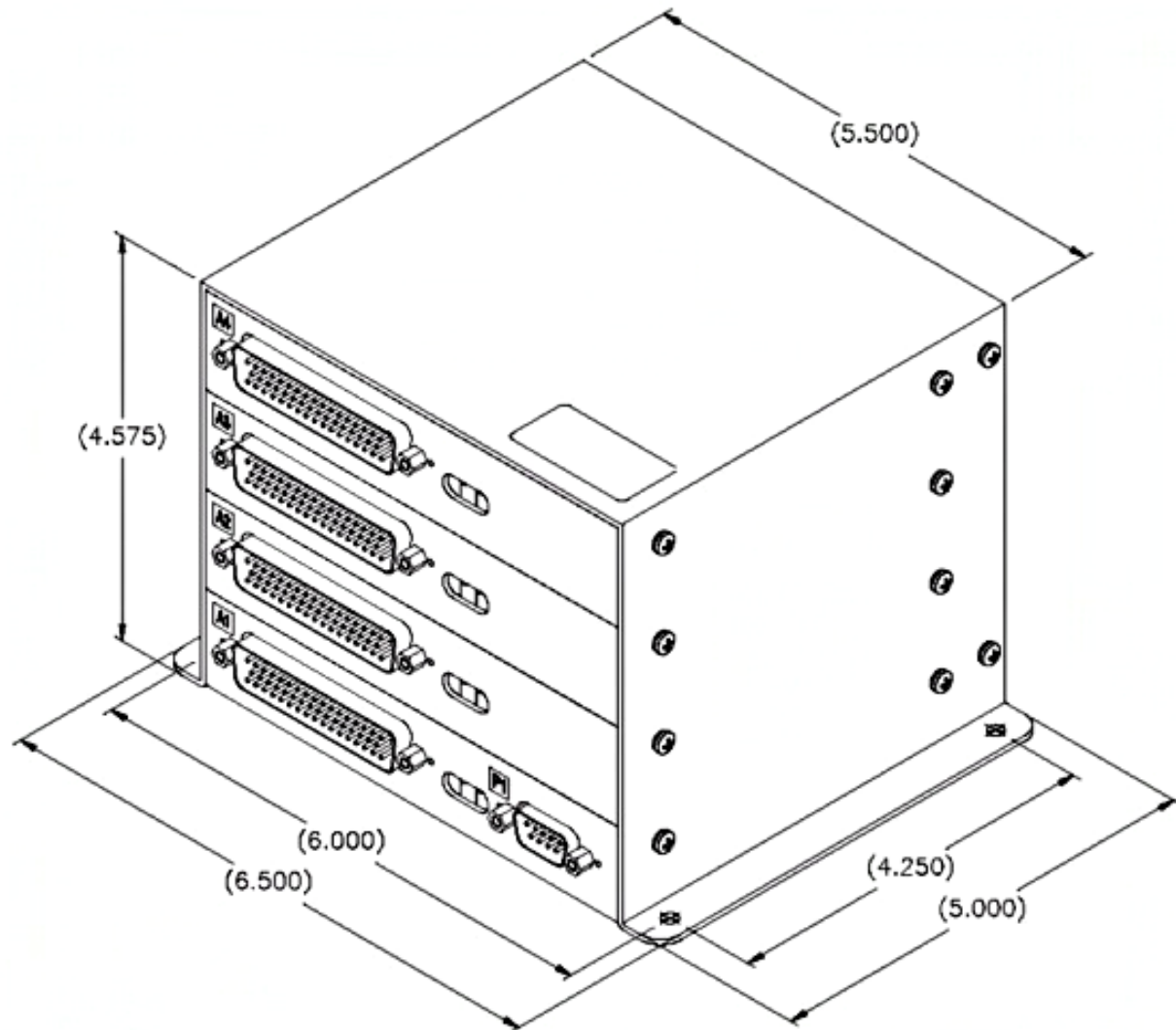
The SL-1971 module splits 4 audio inputs into 6 outputs per channel, bringing the total output channels to 24. The module provides ground isolation to minimize the ground loop effect, resulting in improved audio quality. The flexibility provided by this design will allow for multiple A/V rack setups, while retaining high quality audio output.

Application

- Buffer and distribute the audio sources from the main source rack to six A/V distribution racks.
- Provide ground isolation to minimize the ground loop effect

Mechanical Specification

- All dimensions are in Inch
- Material 5052-H32 Aluminum
- Chem-Film Finish
- Weight 5.2 lbs



Electrical Specification

- **Operating Voltage:** 17 ~ 32 VDC
- **Operating Current:** 0.2 ~ 0.8 Amps
- **Operating Temperature:** -10 ~ +55 °C
- **Buffered Channel:** 1 Input to 6 Outputs
- **Buffered Format:** Stereo
- **Total Channel:** 4
- **Audio Inputs:** 1 Vrms at 10 Kohms
- **Audio Outputs:** 1 Vrms at 10 Kohms
- **Ground Isolation:** 500 Volts Minimum
- **Frequency Response:** 20 Hz to 20 KHz at 3 dB
- **Connector:** D-Sub Series with #4-40 Jackscrew ('P' suffix with Positronic's V3 Tab)

System Interconnect Connector

Label	Description	Connector Type
P1	Power Interface Connector	D-Sub 9 pin Plug (Male)
JA1	Audio Channel Interface (Ax)	D-Sub 50 pin Plug (Male)
JA2	Audio Channel Interface (Ax)	D-Sub 50 pin Plug (Male)
JA3	Audio Channel Interface (Ax)	D-Sub 50 pin Plug (Male)
JA4	Audio Channel Interface (Ax)	D-Sub 50 pin Plug (Male)

Connector Pinouts

P1 Power Interface Connector 9 pin D-sub Plug (Male)

PIN	Function	PIN	Function
1	N.C.	6	N.C.
2	28 VDC Input	7	28 VDC Input
3	N.C.	8	28 VDC Return
4	28 VDC Return	9	Ground
5	Ground		

JAx D-Sub 50 Pin Plug (Male) Channel "X" Audio Connector

PIN	FUNCTION	PIN	FUNCTION	PIN	FUNCTION
1	RESERVED	18	1 AUDIO OUTPUT (L) - LO	34	FRAME GROUND
2	1 AUDIO OUTPUT (L) - HI	19	1 AUDIO OUTPUT (R) - LO	35	1 AUDIO OUTPUT (L) - SHLD
3	1 AUDIO OUTPUT (R) - HI	20	2 AUDIO OUTPUT (L) - LO	36	1 AUDIO OUTPUT (R) - SHLD
4	2 AUDIO OUTPUT (L) - HI	21	2 AUDIO OUTPUT (R) - LO	37	2 AUDIO OUTPUT (L) - SHLD
5	2 AUDIO OUTPUT (R) - HI	22	3 AUDIO OUTPUT (L) - LO	38	2 AUDIO OUTPUT (R) - SHLD
6	3 AUDIO OUTPUT (L) - HI	23	3 AUDIO OUTPUT (R) - LO	39	3 AUDIO OUTPUT (L) - SHLD
7	3 AUDIO OUTPUT (R) - HI	24	4 AUDIO OUTPUT (L) - LO	40	3 AUDIO OUTPUT (R) - SHLD
8	4 AUDIO OUTPUT (L) - HI	25	4 AUDIO OUTPUT (R) - LO	41	4 AUDIO OUTPUT (L) - SHLD
9	4 AUDIO OUTPUT (R) - HI	26	5 AUDIO OUTPUT (L) - LO	42	4 AUDIO OUTPUT (R) - SHLD
10	5 AUDIO OUTPUT (L) - HI	27	5 AUDIO OUTPUT (R) - LO	43	5 AUDIO OUTPUT (L) - SHLD
11	5 AUDIO OUTPUT (R) - HI	28	6 AUDIO OUTPUT (L) - LO	44	5 AUDIO OUTPUT (R) - SHLD
12	6 AUDIO OUTPUT (L) - HI	29	6 AUDIO OUTPUT (R) - LO	45	6 AUDIO OUTPUT (L) - SHLD
13	6 AUDIO OUTPUT (R) - HI	30	RESERVED	46	6 AUDIO OUTPUT (R) - SHLD
14	RESERVED	31	RESERVED	47	RESERVED
15	RESERVED	32	AUDIO INPUT (L) - LO	48	RESERVED
16	AUDIO INPUT (L) - HI	33	AUDIO INPUT (R) - LO	49	AUDIO INPUT (L) - SHLD

17 | AUDIO INPUT (R) - HI

50 | AUDIO INPUT (R) - SHLD

Installation Notes:

- FRAME GROUND: Chassis Ground connection using 20AWG hookup wire minimum.
- POWER INPUT AND POWER RETURN: Power Pins
- AUDIO INPUT/OUTPUT – HI/LO/SHLD: Using 22AWG (minimum) Shielded Twisted Pair cable with single ended shield terminated to SHLD pin.



1350 Arrow Highway La Verne CA 91750
Voice (909) 392-5777 Fax (909) 392-0277 <http://www.dpilabs.com>
Copyright © 2002-2004 DPI Labs, Inc. All rights reserved
All data subject to change without notice.