

DOCUMENT REVISION HISTORY

REV	DEPT.	BY	DATE	DESCRIPTION
P.1	ENGINEERING			PRELIMINARY RELEASE
	Q.A.			
	PRODUCTION			
	CUSTOMER			
	ORIGINATOR	Lawrence Chu	1/15/08	
-	ENGINEERING			
	Q.A.			
	PRODUCTION			
	CUSTOMER			
	ORIGINATOR			
	ENGINEERING			
	Q.A.			
	PRODUCTION			
	CUSTOMER			
	ORIGINATOR			
	ENGINEERING			
	Q.A.			
	PRODUCTION			
	CUSTOMER			
	ORIGINATOR			

PROPRIETARY NOTICE

THIS DATA AND INFORMATION DISCLOSED HEREIN IS PROPRIETARY DATA OF DPI LABS, INC. NEITHER THIS DATA NOR THE DATA CONTAINED HEREIN SHALL BE REPRODUCED, USED OR DISCLOSED TO OTHERS WITHOUT THE WRITTEN AUTHORIZATION OF DPI LABS, INC.

PART NUMBER **PVS1x**

PART NAME **Personal Video System Module**

DOCUMENT NUMBER **SPEC PVS1x**

Personal Video System Module

PVS1x

Ordering Part Number;

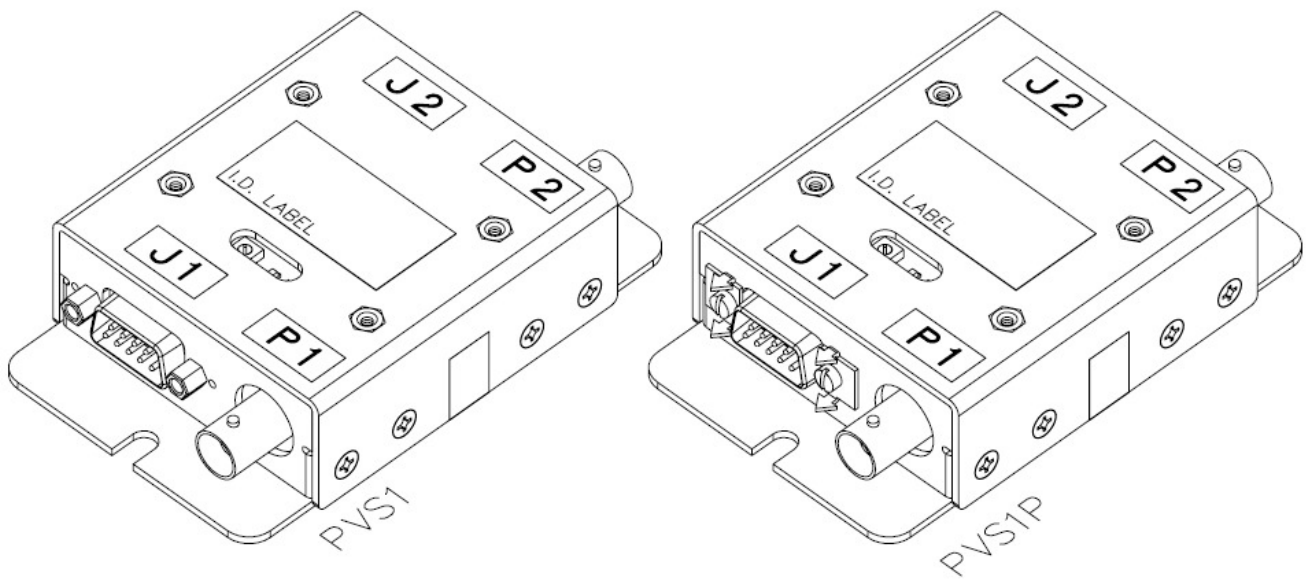
- PVS1** Personal Video System Module
w/ Jack-screws Connector Mounting
- PVS1P** Personal Video System Module
w/ Positronic Vibration Locking System Connector Mounting

Support Panel:

- 9500-000445** Detachable Raw Aluminum Bezel, 24" pigtails mating connector with jack-screw mounts
- 9500-000445P** Detachable Raw Aluminum Bezel, 24" pigtails mating connector with Positronic Vibration Locking System mounts
- 9500-000445-83** Polished Nickel Bezel, 24" pigtails mating connector with jack-screw mounts
- 9500-000445P-83** Polished Nickel Bezel, 24" pigtails mating connector with Positronic Vibration Locking System mounts
- 9500-000445-x** Custom Plating Bezel, 24" pigtails mating connector with jack-screw mounts (referred to plating chart for -x)
- 9500-000445P-x** Custom Plating Bezel, 24" pigtails mating connector with Positronic Vibration Locking System mounts (referred to plating chart for -x)

Table of Contents

Features and Functions: 3
 Specifications General: 4
 Outline Dimension: 5
 Connector Layouts: 6
 J1 System Interface Connector Pin Out: 7
 P1 CMS Source Video Input Connector: 7
 J2 Panel Interface Connector Pin Out: 8
 P2 CMS Monitor Video Connector: 8



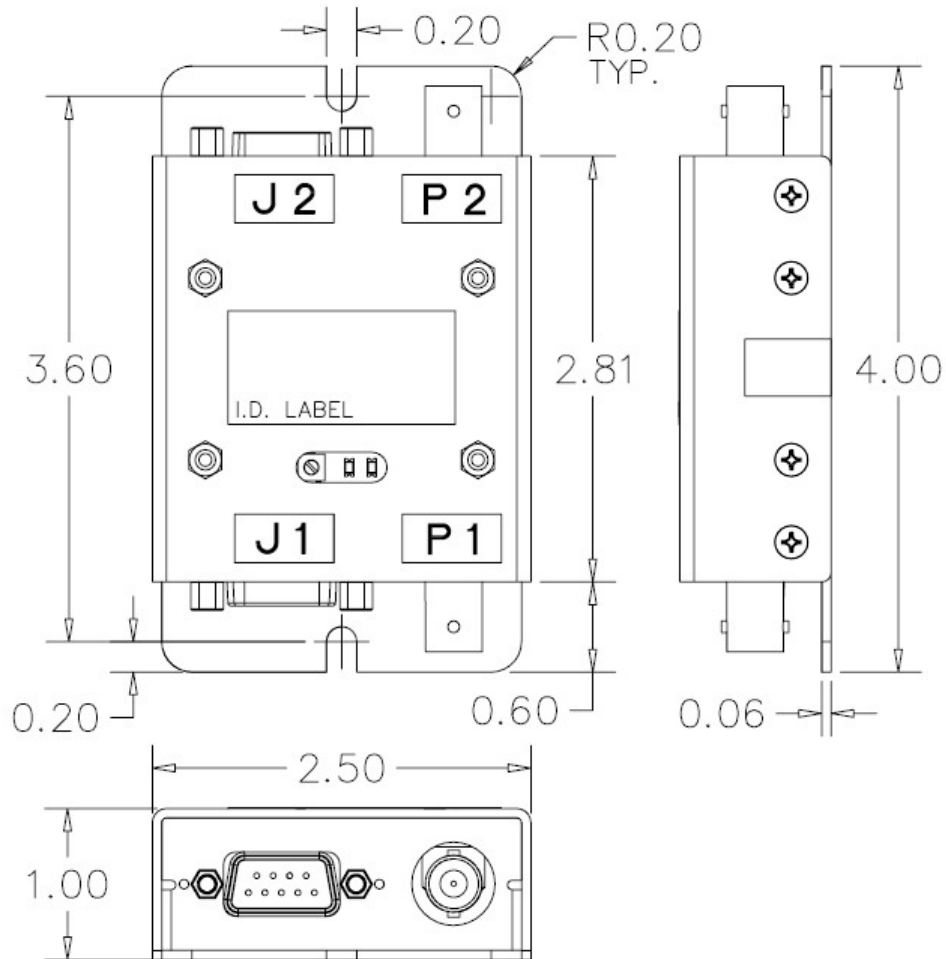
Features and Functions:

- Easy installation to add personal video in to existing CMS
- Power-less default to existing video path routing
- Auto-detected and auto-switch if personal video signal present
- Incorporated on-board PA audio override controls function
- Impedance Isolation video signal paths to eliminated grounding effects
- Isolated Transformer driving audio amplifier for cleanest PA audio passage

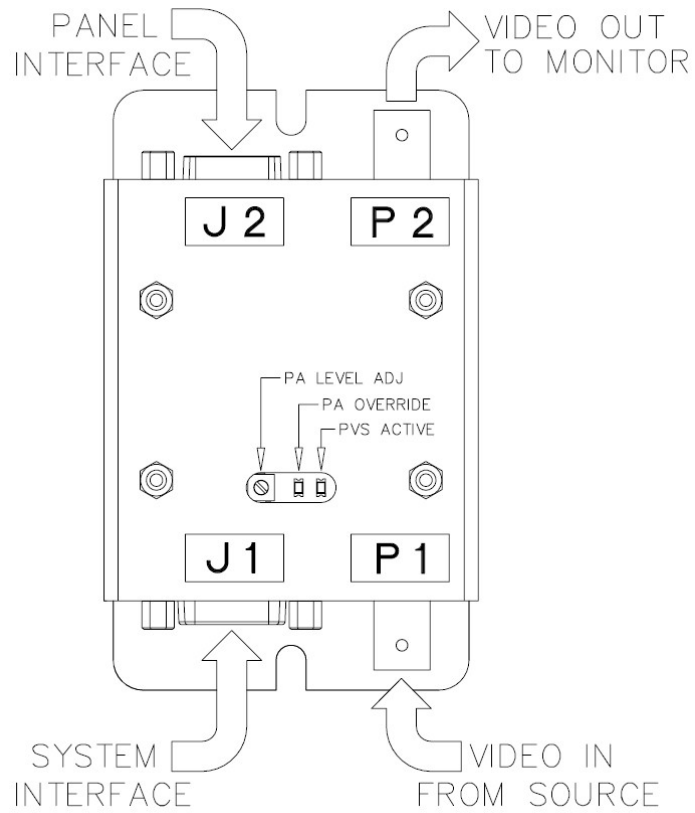
Specifications General:

Operating Voltage:	17 ~ 32 VDC
Operating Current:	0.3 Amps Typ. 0.8 Amps Peak
Operating Temperature:	-10 ~ +70 °C
Support Video Format:	Composite, ALL
Video Power-less Default:	CMS Video Pass-thru
Personal Video Input:	1.0 V Composite
Personal Video Detection:	Composite Video Signal Present
Video Detection Output:	100mA Open Drain NMOS Driver
CMS Video Override:	Ground Activated
PA Audio Input:	100mV ~ 5V RMS Mono Balance or SE
PA Audio Input Impedance:	10K ohms Ground Isolation
PA Audio Input Level:	External Adjustable
PA Audio Override:	Ground Activated
PA Audio Output:	8 ~ 32 ohm 500mW Max.
Noise Rejections:	> 80 dB
Connector Type:	D-Sub Series with #4-40 Jackscrew (‘P’ suffix with Positronic’s Vibration Locking System)
Connector Usage:	J1, D-Sub 9 Pin Male, System Interface J2, D-Sub 9 Pin Female, Panel Interface P1, BNC Jack, CMS Source Video In P2, BNC Jack, to Monitor Video Out
Dimensions:	4.0” x 2.5” x 1”
Mounting:	3.60” Center #8 Screws Mounting Slots
Weight:	TBD

Outline Dimension:



Connector Layouts:



J1 System Interface Connector Pin Out:

J1 D-Sub, 9 Pin Male System Interface Connector			
PIN	FUNCTION	PIN	FUNCTION
1	FRAME GROUND	6	PERSONAL VIDEO DETECT OUT -
2	+28VDC POWER INPUT	7	VIDEO OVERRIDE CMD IN -
3	POWER RETURN (GND)	8	PA OVERRIDE KEY INPUT -
4	PA AUDIO INPUT (LO)	9	PA AUDIO INPUT (SHIELD)
5	PA AUDIO INPUT (HI)		

Notes:

1. FRAME GROUND: Chassis Ground connection using minimum of 22AWG hookup wire.
2. POWER INPUT AND POWER RETURN: Power Input Pins
3. VIDEO OVERRIDE CMD IN -: Discrete Command Input Pins connect to Discrete Returns (GND) override the monitor video displaying CMS source video. Connect to PA Override Key Input – connection if override video function required while PA keyed.
4. PA AUDIO IN (HI/LO/SHIELD): Audio Input Pins, using 24AWG Double Twisted Shielded Pair cable with single ended shields' termination to 'Shield' pin. Audio level can be adjusted via level adjustment pot located at the top of the module.
5. PA OVERRIDE KEY INPUT -: Discrete Command Input Pins connect to Discrete Returns (GND) override the personal headphone to amplified PA audio.
6. PERSONAL VIDEO DETECT OUT -: Discrete Output connected to Ground when Personal Video signal detected with 100mA sink maximum current drive.

P1 CMS Source Video Input Connector:

P1 BNC 75 ohm Jack CMS Source Video Input Connector	
PIN	FUNCTION
CENTER	COMPOSITE VIDEO (HI)
SHELL	COMPOSITE VIDEO RETURN (LO)

Notes:

- CMS Composite Video source signal.

J2 Panel Interface Connector Pin Out:

J2 D-Sub, 9 Pin Female Panel Interface Connector			
PIN	FUNCTION	PIN	FUNCTION
1	FRAME GROUND	6	PERSONAL VIDEO INPUT (HI)
2	PERSONAL VIDEO INPUT (LO)	7	PERSONAL AUDIO INPUT (LEFT)
3	PERSONAL AUDIO INPUT (COMMON)	8	PERSONAL AUDIO INPUT (RIGHT)
4	HEAD-PHONE (LEFT)	9	HEAD-PHONE (COMMON)
5	HEAD-PHONE (RIGHT)		

Notes:

1. FRAME GROUND: Chassis Ground connection.
2. PERSONAL VIDEO INPUT (HI/LO): Personal Device's Composite Video signal output connection.
3. PERSONAL AUDIO INPUT (LEFT/RIGHT/COMMON): Personal Device Headphone audio output connection.
4. HEAD-PHONE (LEFT/RIGHT/COMMON): To Audio output head phone jack.

P2 CMS Monitor Video Connector:

P2 BNC 75 ohm Jack CMS Monitor Video Connector	
PIN	FUNCTION
CENTER	COMPOSITE VIDEO (HI)
SHELL	COMPOSITE VIDEO RETURN (LO)

Notes:

- To CMS Monitor Composite Video signal.