

5

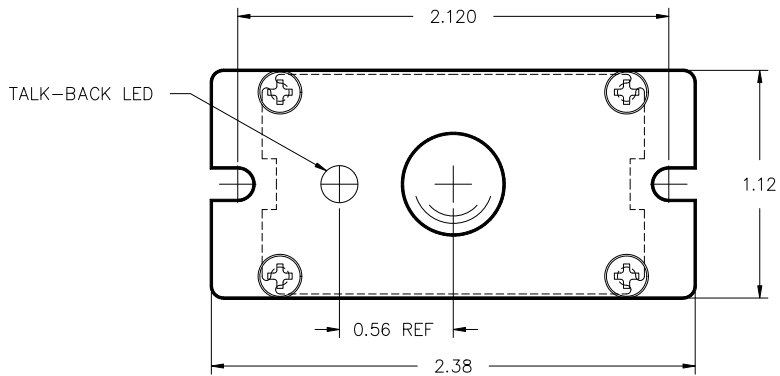
4

3

2

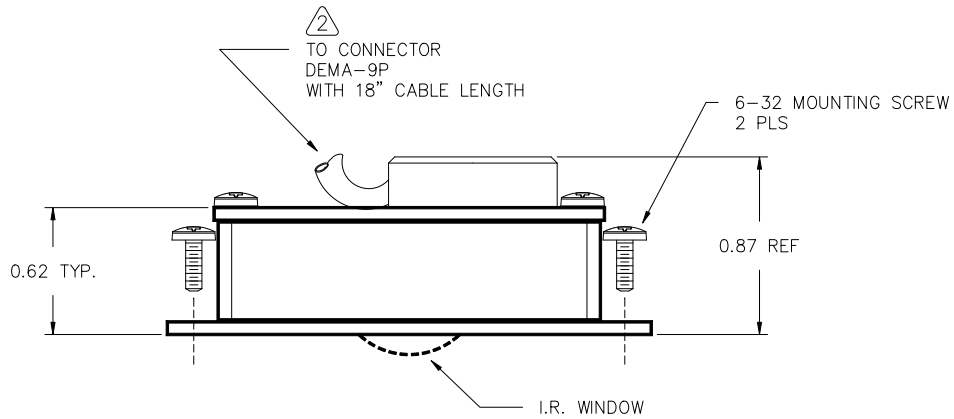
1

REVISIONS					
ZONE	LTR	DESCRIPTION	DATE	BY	APPROVED



SPECIFICATIONS

OPERATING VOLTAGE	7.2VDC TYP. (FROM MS18202)
OPERATING CURRENT	30 mA TYP.
OPERATING TEMPERATURE	-10°C TO +75°C
SYSTEM INTERFACE	I.R. RECEIVING FRONT END OF OPTI-LINK SYSTEM. USE WITH MS18202.
RECEIVING DISTANCE	10 FEET @ 15° TYP.
I.R. CARRY FREQUENCY	22 KHz - 85 KHz
OUTPUT LEVEL	0.5 VRMS ANALOG
OUTPUT IMPEDANCE	10 KOHMS
CONNECTOR USE	CINCH DEMA-9P (D-SUB 9 PIN PLUG)



INTERFACE CONNECTOR				DEMA-9P	
PIN	FUNCTION	PIN	FUNCTION		
1	DATA OUTPUT HI	6			
2	DATA OUTPUT LO	7			
3	SHLD (CABLE ONLY)	8			
4	POWER RETURN (GND)	9			
5	POWER INPUT				

- ⚠ INSTALL TIN COATED COPPER WIRE BRAID OVER ENTIRE LENGTH OF WIRE, BRAID SHOULD BE INSIDE BACKSHELL AND CAPTIVATED BY STRAIN RELIEF.
- DO NOT LOCATE TOWARD I.R. EMITTING SOURCE (I.E. INDIRECT LIGHTING) WHICH MAY RESULT IN DECREASING OPERATING RANGE.

NOTE:

UNLESS OTHERWISE SPECIFIED DIMENSION ARE IN INCHES TOLERANCES: XX ±.010 XXX .005 ANGULAR ± 0° 30' REMOVE ALL BURRS BREAK ALL SHARP EDGES		APPROVALS	DATE	DPI LABS INC. LAVERNE, CALIFORNIA U.S.A.	
MATERIAL:		DRAWN LAWRENCE CHU	11/22/94		
NEXT ASSY		CHECKED		I.R. REPEATER MS 18201-1	
USED ON		DESIGNED LAWRENCE CHU	11/22/94		
		APPROVED		SCALE NONE	SHEET 1 OF 1
		FINISH:		DWG NO. 384-515	REV. -
				CAD DWG DO NOT SCALE	
				FILE: T18201-1	

5

4

3

2

1