

DOCUMENT REVISION HISTORY

REV	DEPT.	BY	DATE	DESCRIPTION
-	ENGINEERING			INITIAL RELEASE
	Q.A.			
	PRODUCTION			
	CUSTOMER			
	ORIGINATOR	Lawrence Chu	8/22/02	
	ENGINEERING			
	Q.A.			
	PRODUCTION			
	CUSTOMER			
	ORIGINATOR			
	ENGINEERING			
	Q.A.			
	PRODUCTION			
	CUSTOMER			
	ORIGINATOR			
	ENGINEERING			
	Q.A.			
	PRODUCTION			
	CUSTOMER			
	ORIGINATOR			

PROPRIETARY NOTICE

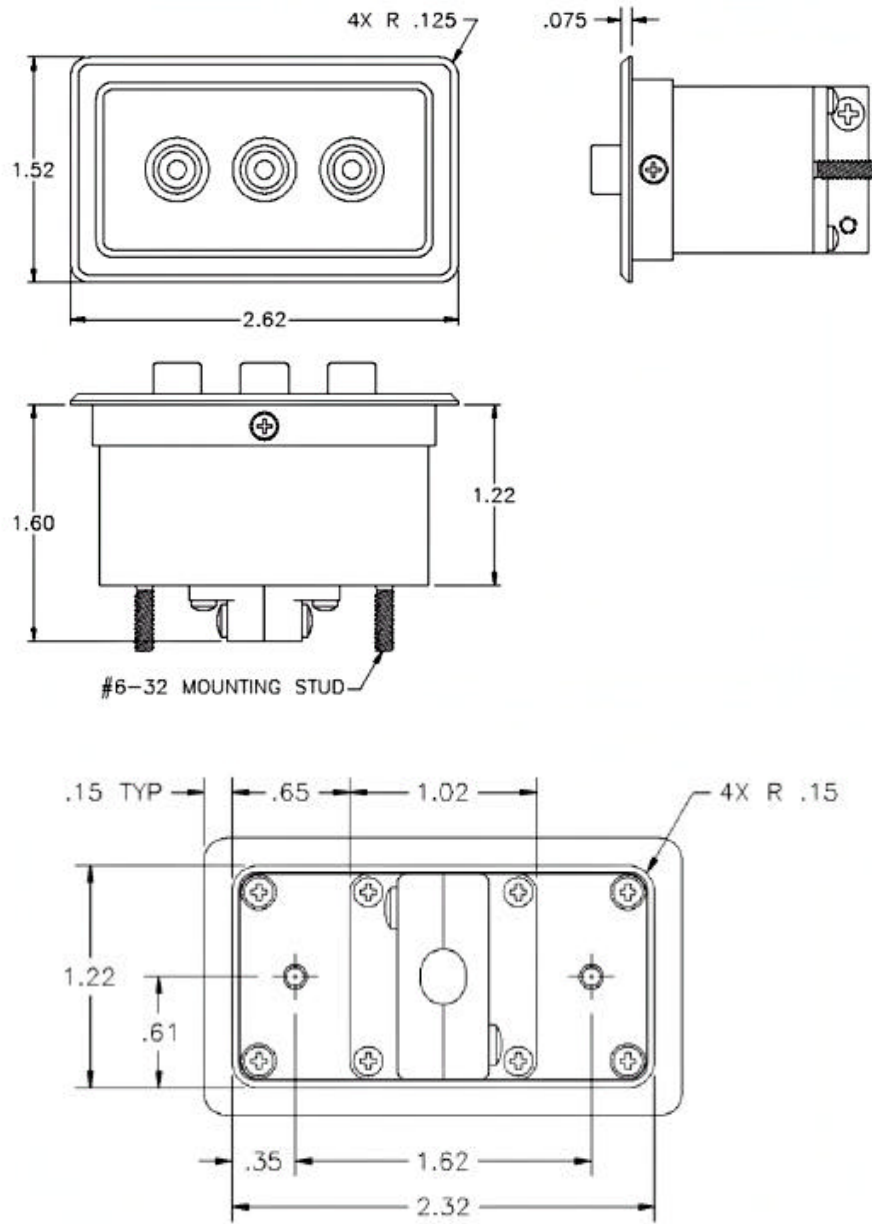
THIS DATA AND INFORMATION DISCLOSED HEREIN IS PROPRIETARY DATA OF DPI LABS, INC. NEITHER THIS DATA NOR THE DATA CONTAINED HEREIN SHALL BE REPRODUCED, USED OR DISCLOSED TO OTHERS WITHOUT THE WRITTEN AUTHORIZATION OF DPI LABS, INC.

PART NUMBER **GPP-901**

PART NAME **GAME ACCESS PORT PANEL**

DOCUMENT NUMBER **TOP GPP-901**

BILL OF MATERIAL: BOM GPP-901



<p>DPI LABS INC. 1350 Arrow Hwy. La Verne, CA 91750 U.S.A. Tel: (909) 392-5777 Fax: (909) 392-0277</p>	DOCUMENT NO.			REVISION
	TOP GPP-901			
Page	2	of	4	-

APPLICATIONS:

- ?? Add distributable Game play and/or alternate Audio-Video input into A/V Entertainment System.
- ?? 9000 Series panel designed for matching aircraft interiors layout and theme.
- ?? A/V detected discrete outputs built-in for enable control if equipped.

SPECIFICATIONS GENERAL:

Operating Voltage: 17 - 32 VDC
Operating Current: 0.5 Amps Max.
Operating Temperature: -10 to +55 °C
Audio-Video Inputs: Color coded RCA Jacks.
YELLOW Video In
WHITE Audio LEFT In
RED Audio RIGHT In
Audio-Video Outputs: Via System Connector.
Audio-Video Channels: Direct Pass-Through.
Audio Discrete Output: Open Collector Drive @ 100 mA Sink Max.
100 mVp-p threshold detection on LT or RT audio input.
Video Discrete Output: Open Collector Drive @ 100 mA Sink Max.
300 mVp-p threshold detection on video input.
Connectors: Color Coded RCA, Yel / Wht / Red, A/V Inputs
J1, D-Sub 15-pin Male, A/V Outputs and Power Input
Dimensions: 2.62" W x 1.52" H x Ref 2.00" D
Weight: 0.8 lbs

J1 SYSTEM CONNECTOR PIN OUT:

J1 D-Sub 15-pin Male System Connector			
PIN	FUNCTION	PIN	FUNCTION
1	FRAME GND	9	VIFRO OUTPUT RETURN
2	GND POWER RETURN	10	VIDEO OUTPUT +
3	+28 VDC POWER INPUT	11	RESERVED
4	VIDEO DISCRETE OUT -	12	GND DISCRETE RETURNS
5	AUDIO DISCRETE OUT-	13	AUDIO OUTPUT SHLD
6	AUDIO OUTPUT SHLD	14	AUDIO OUTPUT LEFT LO
7	AUDIO OUTPUT LEFT HI	15	AUDIO OUTPUT RIGHT LO
8	AUDIO OUTPUT RIGHT HI		

Notes:

- ?? AUDIO OUPUTS: 22 AWG Double Shielded Twisted cable shall be use on all audio output connections with one end shield terminated to Shld pin.
- ?? VIDEO OUTPUT: 75 ohm Coax shall be use.
- ?? A/V DISCRETE OUT -: These pin connected to GND (Discrete Returns) if input signals level higher than the preset threshold.